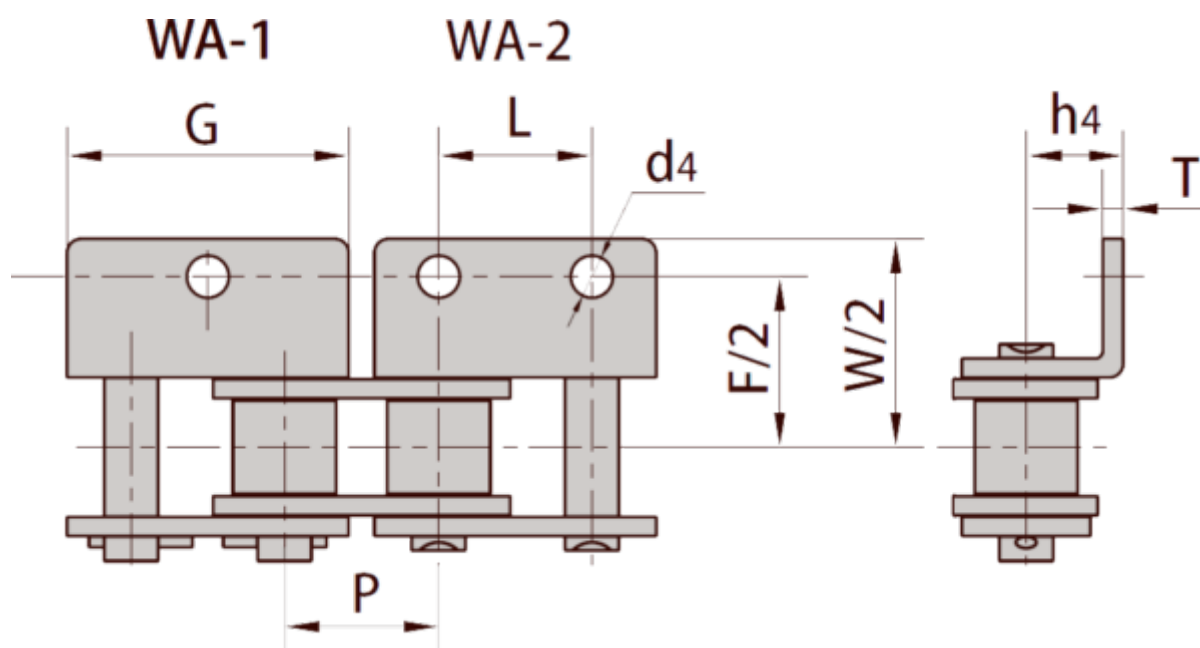


Article number: 6100110061031

Description: 10B1

WA1 angled one hole attachment link, spring clip type

Measures



d4 = 5.30
F = 31.80
G = 28.58
h4 = 10.31
L = 15.875
P = 15.875
T = 1.70
W = 44.6